

# **BALDOR**® • *RELIANCE*

## **Product Information Packet**

### **35N893R868G1**

**2HP,1155RPM,3PH,60HZ,145TZ,3540M,TEAO,F1**

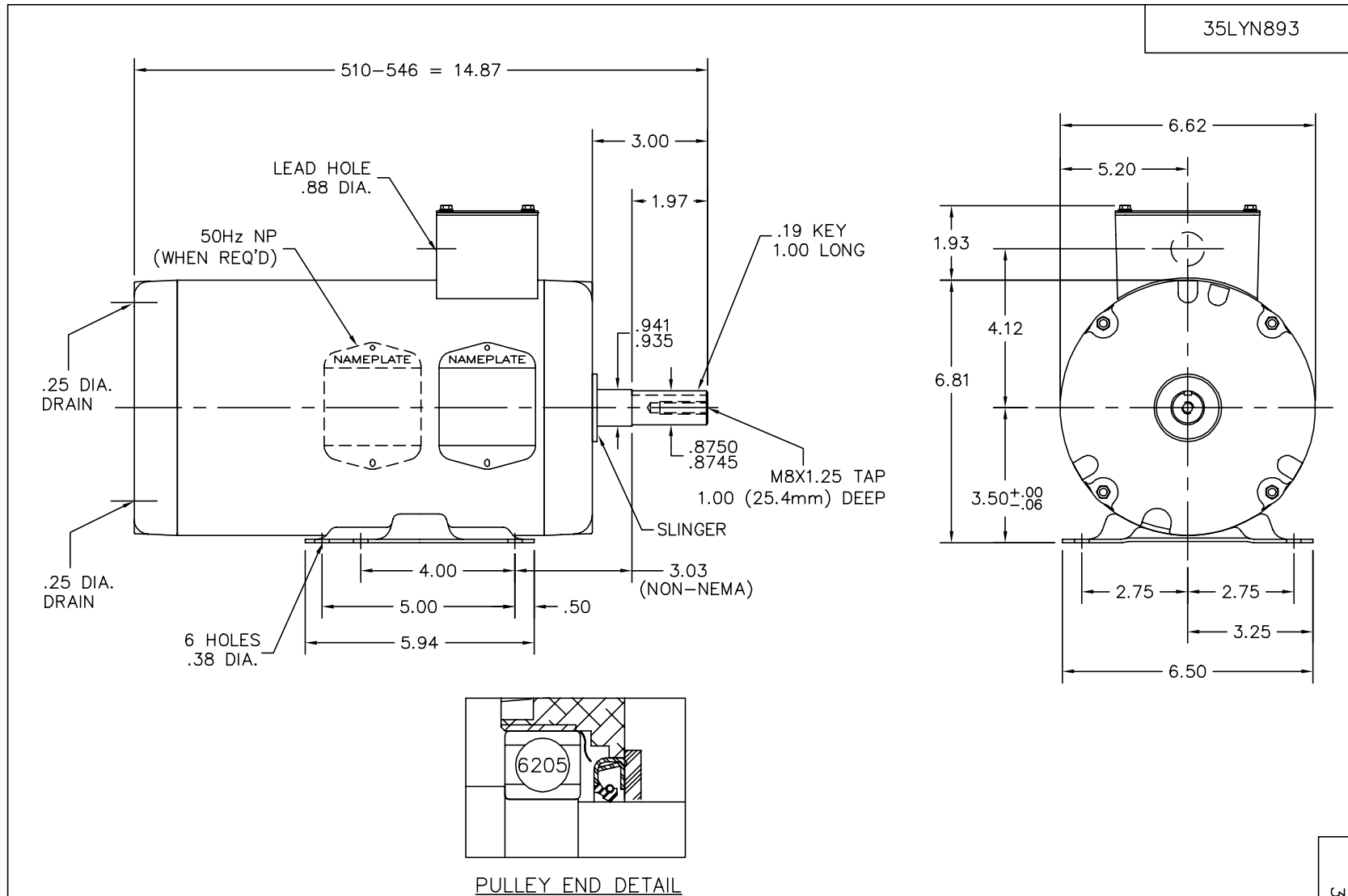
Product Detail							
Revision:	D	Status:	INA/A	Change #:		Proprietary:	Yes
Type:	AC	Prod Type:	3540M	Elec. Spec:	35WGR868	CD Diagram:	CD0006
Enclosure	TEAO	Mfg Plant:		Mech Spec:	35N893	Layout:	35LYN893
Frame:	145TZ	Mounting:	F1	Poles:	06	Created Date:	
Base:	RG	Rotation:	R	Insulation:	F	Eff. Date:	03-20-2005
Leads:	3#18	Literature:		Elec. Diagram:		Replaced By:	

**Nameplate NP1256L**

CAT.NO.							
SPEC.	35N893R868G1						
HP	2						
VOLTS	575						
AMP	2.7						
RPM	1155						
FRAME	145TZ	HZ	60	PH	3		
SER.F.	1.15	CODE	J	DES	B	CLASS	F
NEMA-NOM-EFF		PF					
RATING	60C AMB-CONT						
CC		USABLE AT 208V	N/A				
DE	6205	ODE	6203				
ENCL	TEAO	SN					
	024-3090-003						

<b>Parts List</b>			
<b>Product ID</b>	<b>Description</b>	<b>Quantity</b>	<b>List Price</b>
SA073582	SA 35N893R868G1	1.000	
RA067308	RA 35N893R868G1	1.000	
NS2512A01	INSULATOR, CONDUIT BOX X X	1.000	3.00
35CB3003A05	SPL CONDUIT BOX 35 FRAME	1.000	31.00
36GS1000SP	GASKET-CONDUIT BOX, .06 THICK #SV-330 LE	1.000	6.00
51XB1016A07	10-16 X 7/16 HXWSSLD SERTYB	2.000	3.00
11XW1032G06	10-32 X .38, TAPTITE II, HEX WSHR SLTD U	1.000	4.00
HW3001A01	D3019 BRASS WASHER(STIMP)	1.000	3.00
35EP3100B53	FRONT TENV 203 BRG W/ .25 FACE DRAINS W/	1.000	47.00
HW5100A05		1.000	3.00
35EP3101A95	PULLEY ENCL 205 BRG SEAL, W/O DRAIN, MAC	1.000	42.00
HW4600B49SP	SEAL 0.938 X 1.624 X 0.250 SINGLE LIP DB	1.000	9.00
HA3100A26	THRUBOLT 10-32 X 11.500	4.000	3.00
XY1032A02	10-32 HEX NUT DIRECTIONAL SERRATION	4.000	3.00
36CB4500SP	CONDUIT BOX LID, STAMPED	1.000	8.00
36GS1001SP	GASKET, CONDUIT BOX LID, .06 THICK #SV-3	1.000	3.00
51XW0832A07	8-32 X .44, TAPTITE II, HEX WSHR SLTD SE	4.000	3.00
HA1005A03SP	SLINGER, OD 1.750, ID .938, 205 BRG	1.000	4.00
HW2501D15	KEY, 3/16 SQ X 1.625	1.000	2.00
HA7000A01	KEY RETAINER 7/8" DIA SHAFT	1.000	3.00
MJ5001A01	46-665 RED SEALER	0.001	69.00
MJ5004A04	609 LOCTITE LOCC	0.005	84.00
10XF0440S02	04-40 X 1/8 TYPE F HEX HD STAINLESS STIC	2.000	2.00
WD1000A28	SPADE TERM,18-22AWG.INSUL.(3./RL) AMP# 2	3.000	3.00

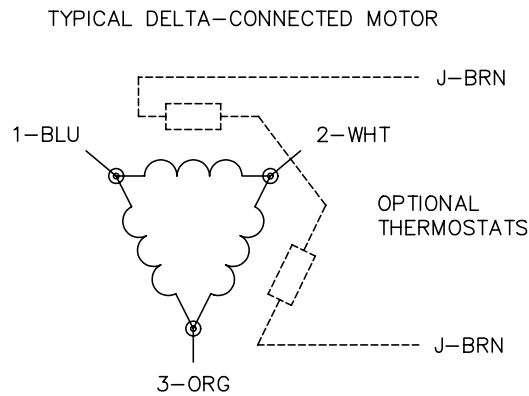
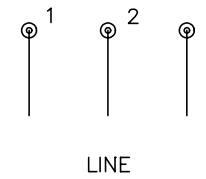
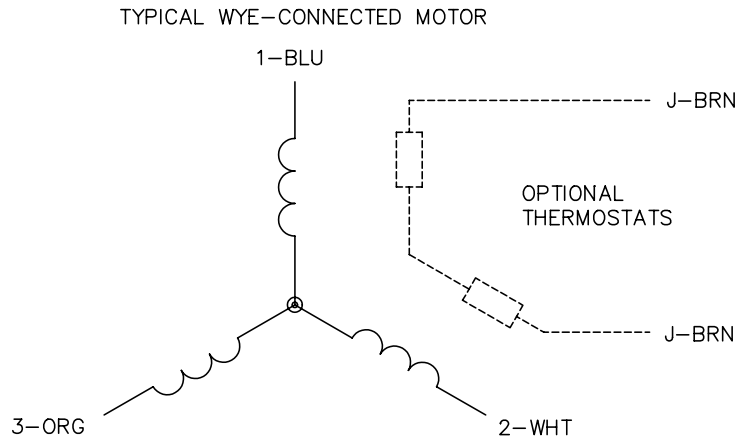
<b>Parts List (continued)</b>			
<b>Product ID</b>	<b>Description</b>	<b>Quantity</b>	<b>List Price</b>
MJ1000A02	GREASE, POLYREX EM EXXON	0.050	12.00
MG1000G27	PAINT- S9282E CHARCOAL GREY	0.017	4,000.00
LB1119	WARNING LABEL	1.000	3.00
LB1172A01	CUSTOM MTR CARTON LABEL LASER PRINTER	1.000	3.00
NP1256L	ALUM, UL CSA CC, W/O THERMAL, LASER	1.000	4.00
36PA1000	PACK GROUP W/LB5001	1.000	21.00



CUSTOMER IS RESPONSIBLE FOR DETERMINING THAT MOTOR PERFORMANCE IS SUITABLE IN THE APPLICATION.

REV. DESC: ADDED PU END DETAIL			<b>BALDOR ELECTRIC Co.</b>	35LYN893
REV. LTR: E	VERSION: 03	TDR: 000000403914		
Σ 68NΛ 79Σ	FILE: \AAA\00045\949	REVISED: 09:56:58 07/31/2006	HORZ 143-5TZ TENV 35M W/KOBX @ 12: ON PU END & SPL DRAIN LOC	
	MTL: -	BY: ENSTESO		

CD0006



NOTES:

1. THREE LEAD MOTOR MAY BE EITHER WYE CONNECTED OR DELTA CONNECTED.
2. INTERCHANGE ANY TWO LINE LEADS TO REVERSE ROTATION.
3. OPTIONAL THERMOSTATS ARE PROVIDED WHEN SPECIFIED.
4. ACTUAL NUMBER OF INTERNAL PARALLEL CIRCUITS MAY VARY.
5. LEAD COLORS ARE OPTIONAL. LEADS MUST BE NUMBERED AS SHOWN.

REV. DESC: REVISE TO SHOW OPTIONAL COLORS			
REV. LTR: D	BY: JLP	REVISED: 01/21/99 4:02	TDR: 0171435
9000D		FILE: AAA00005141	MDL: -
		MTL: -	

**BALDOR ELECTRIC Co.**

3PH, SV, 3 LEADS, WYE OR DELTA CONNECTED

CD0006