

BALDOR® • RELIANCE

Product Information Packet

40E134W951G1

50HP,1765RPM,3PH,60HZ,324TCZ,4060M,OPSB

Product Detail							
Revision:	A	Status:	PRD/A	Change #:		Proprietary:	Yes
Type:	AC	Prod Type:	4060M	Elec. Spec:	40WGW951	CD Diagram:	CD0180
Enclosure	OPSB	Mfg Plant:		Mech Spec:	40E134	Layout:	40LYE134
Frame:	324TCZ	Mounting:	F1	Poles:	04	Created Date:	04-10-2006
Base:	RG	Rotation:	R	Insulation:	B	Eff. Date:	03-03-2008
Leads:	9#8	Literature:		Elec. Diagram:		Replaced By:	

Nameplate NP1256L

CAT.NO.							
SPEC.	40E134W951G1						
HP	50						
VOLTS	230/460						
AMP	124/62						
RPM	1765						
FRAME	324TCZ	HZ	60	PH	3		
SER.F.	1.15	CODE	G	DES	B	CLASS	B
NEMA-NOM-EFF	93	PF	81				
RATING	40C AMB-CONT						
CC		USABLE AT 208V	133				
DE	6312	ODE	6309				
ENCL	OPSB	SN					
	MICH320						

Parts List			
Product ID	Description	Quantity	List Price
SA141197	SA 40E134W951G1	1.000	2,342.00
RA130550	RA 40E134W951G1	1.000	1,952.00
HA6361A01	LIFTING LUG FOR 37, 39 & 40 FRAME (AUTOP	2.000	3.00
HA6017A01	CAST ADAPTOR	1.000	29.00
19XW3118A12	.31-18 X .75 HEX WASHER HEAD TAPTITE II	2.000	3.00
HW1001A31	LOCKWASHER 5/16, ZINC PLT.591 OD, .319 I	2.000	3.00
10CB3001	CONDUIT BOX CAST W/2.500 LEAD HOLE	1.000	42.00
19XW3118A12	.31-18 X .75 HEX WASHER HEAD TAPTITE II	4.000	3.00
HW1001A31	LOCKWASHER 5/16, ZINC PLT.591 OD, .319 I	4.000	3.00
WD1000B16	KPA-4C BURNDY TERMINAL	1.000	5.00
51XF2520A08	SCREW, HEX SER SLT HD, ZN 1/4-20 X .50 L	1.000	3.00
40EP3200A02	STD FREP OPEN 309 BRG	1.000	292.00
HA4051A00		1.000	3.00
HW5100A11	W3917-042 WVY WSHR (WB)	1.000	5.00
40EP1401A01	FR ENDPLATE, MACH OPEN NEMA 324-6T	1.000	410.00
HA4051A00		1.000	3.00
10XN3118K40	5/16-18 X 2.50" HEX HD, GRADE 5	4.000	4.00
HW1001A31	LOCKWASHER 5/16, ZINC PLT.591 OD, .319 I	4.000	3.00
XY3816A12	3/8-16 FINISHED NUT	8.000	2.00
10CB3500SP	CONDUIT BOX LID, CAST	1.000	37.00
51XW2520A12	.25-20 X .75, TAPTITE II, HEX WSHR SLTD	4.000	3.00
HW2501H14	KEY, 1/2 SQ X 1.500	1.000	2.00
LB1115	LABEL,LIFTING DEVICE (ON ROLLS0	1.000	3.00
LB5040	INSTRUCTION TAG, AC & DC	1.000	3.00

Parts List (continued)			
Product ID	Description	Quantity	List Price
HW4500A03	1610	1.000	3.00
HW4500A20	1/8NPT SL PIPE PLUG	1.000	3.00
MJ1000A02	GREASE, POLYREX EM EXXON	0.050	12.00
HW4500A03	1610	1.000	3.00
HW4500A20	1/8NPT SL PIPE PLUG	1.000	3.00
MG1000G27	PAINT- S9282E CHARCOAL GREY	0.030	4,000.00
85XU0407A04		2.000	3.00
HA3154A06	THRUBOLT STUD 3/8-16 X 19.500	4.000	6.00
40AD2002A01	LEXAN BAFFLE 40 FR OPEN	2.000	17.00
LB1119	WARNING LABEL	1.000	3.00
LB1172A01	CUSTOM MTR CARTON LABEL LASER PRINTER	4.000	3.00
LC0181	CONNECTION LABEL	1.000	8.00
NP1256L	ALUM, UL CSA CC, W/O THERMAL, LASER	1.000	4.00
40PA1000	PACKAGING GROUP	1.000	80.00

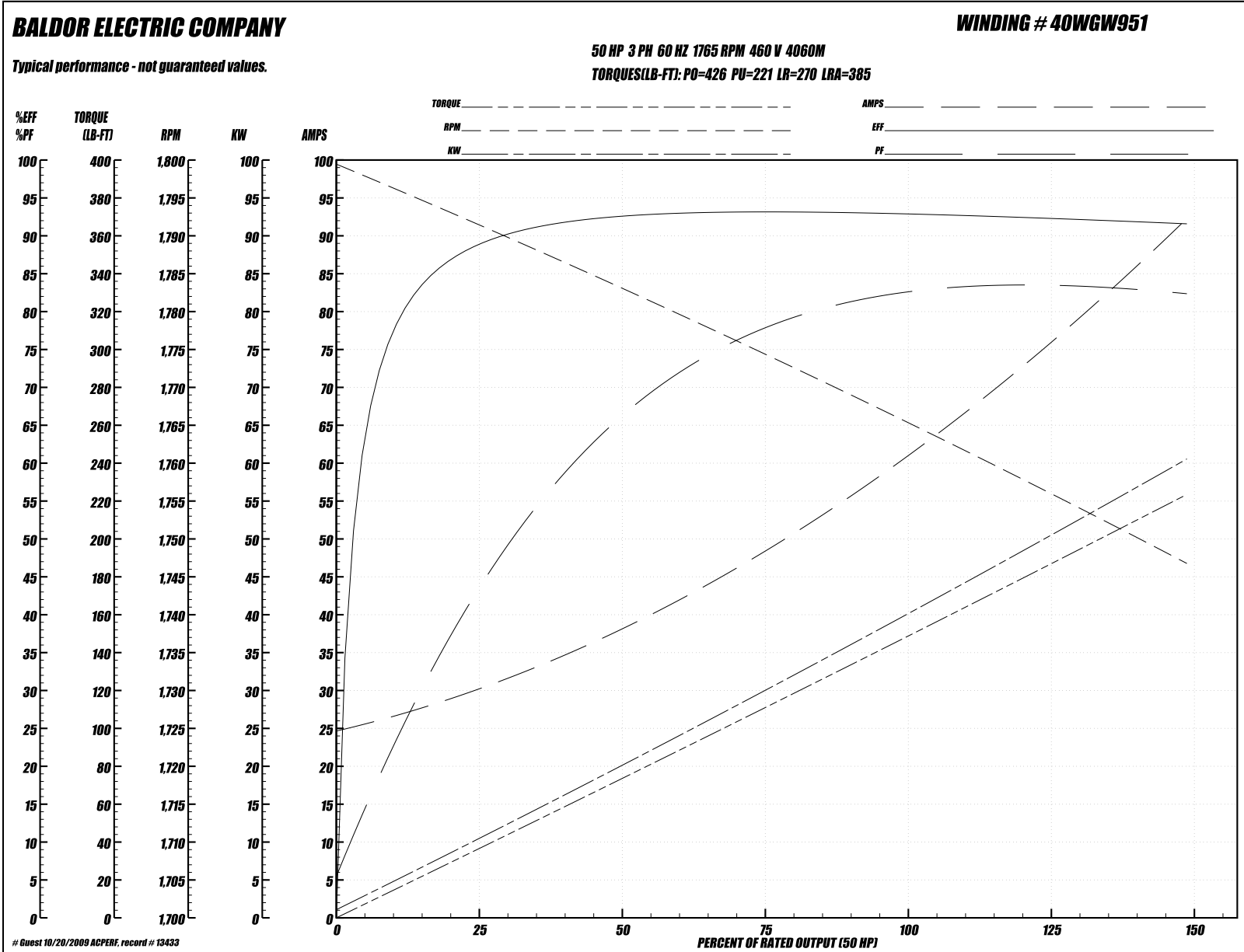
Performance Data at 460V, 60Hz, 50.0HP (Typical performance - Not guaranteed values)
General Characteristics

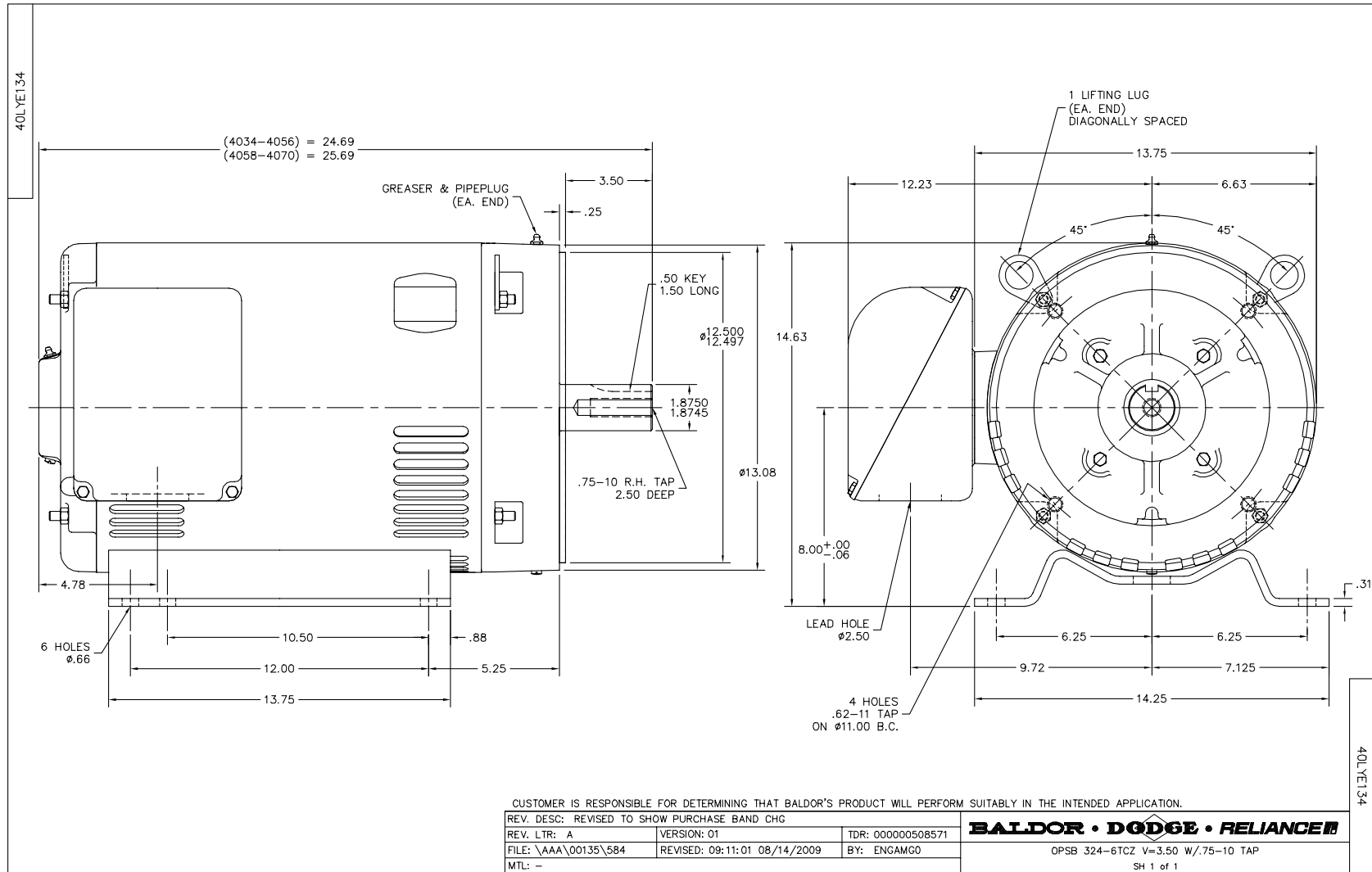
Full Load Torque:	149.0 LB-FT	Start Configuration:	DOL
No-Load Current:	25.48 Amps	Break-Down Torque:	426.0 LB-FT
Line-line Res. @ 25°C.:	0.1406 Ohms A Ph / 0.0 Ohms B Ph	Pull-Up Torque:	221.0 LB-FT
Temp. Rise @ Rated Load:	54°C	Locked-Rotor Torque:	270.0 LB-FT
Temp. Rise @ S.F. Load:	72°C	Starting Current:	385.0 Amps

Load Characteristics

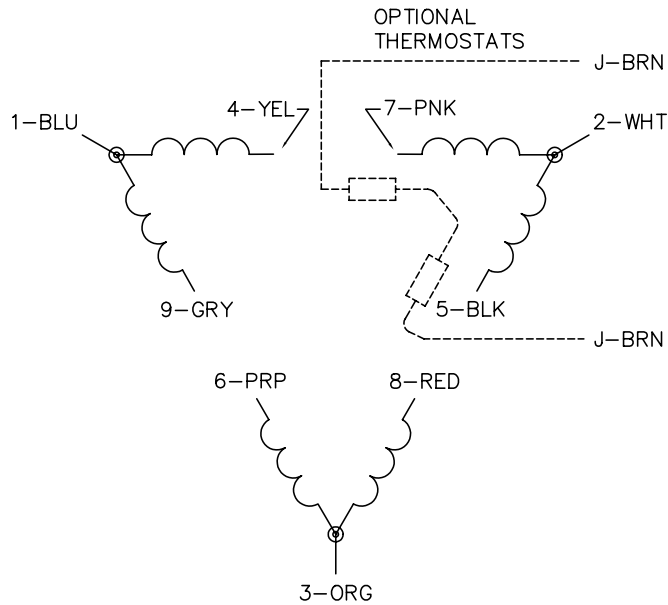
% of Rated Load:	25	50	75	100	125	150	S.F.
Power Factor:	45.0	67.0	77.0	81.0	83.0	84.0	83.0
Efficiency:	88.4	92.4	93.2	93.0	92.4	91.5	92.6
Speed:	1792.0	1783.0	1774.0	1765.0	1756.0	1747.0	1760.0
Line Amperes:	29.23	37.8	49.0	61.8	75.9	91.8	70.2

Performance Graph at 460V, 60Hz, 50.0HP (Typical performance - Not guaranteed values)

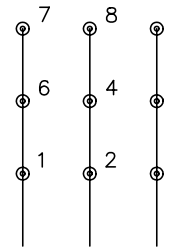




CD0180

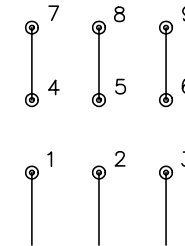


LOW VOLTAGE
(2D)



LINE

HIGH VOLTAGE
(1D)



LINE

NOTES:

1. INTERCHANGE ANY TWO LINE LEADS TO REVERSE ROTATION.
2. OPTIONAL THERMOSTATS ARE PROVIDED WHEN SPECIFIED.
3. ACTUAL NUMBER OF INTERNAL PARALLEL CIRCUITS MAY BE A MULTIPLE OF THOSE SHOWN ABOVE.
4. LEAD COLORS ARE OPTIONAL. LEADS MUST ALWAYS BE NUMBERED AS SHOWN.

REV. DESC: REVISE TO SHOW OPTIONAL COLORS			
REV. LTR: C	BY: JLP	REVISED: 01/21/99 2:28	TDR: 0171435
0810D0		FILE: AAA00005148	MDL: -
		MTL: -	

BALDOR ELECTRIC Co.

3PH, DV, 9 LEADS, DELTA CONNECTION

CD0180