

BALDOR® • *RELIANCE*

Product Information Packet

EM2332T

10HP,1180RPM,3PH,60HZ,256T,0960M,TEFC,F1

Product Detail							
Revision:	T	Status:	PRD/A	Change #:		Proprietary:	No
Type:	AC	Prod Type:	0960M	Elec. Spec:	09WGX826	CD Diagram:	CD0180
Enclosure	TEFC	Mfg Plant:		Mech Spec:	09P11	Layout:	09LYP011
Frame:	256T	Mounting:	F1	Poles:	06	Created Date:	
Base:	RG	Rotation:	R	Insulation:	F	Eff. Date:	04-04-2008
Leads:	9#12	Literature:		Elec. Diagram:		Replaced By:	

Nameplate NP1259L

CAT.NO.	EM2332T						
SPEC.	09P011X826G1						
HP	10						
VOLTS	230/460						
AMP	28.4/14.2						
RPM	1180						
FRAME	256T	HZ	60	PH	3		
SER.F.	1.15	CODE	J	DES	B	CL	F
NEMA-NOM-EFF	91.7	PF	72				
RATING	40C AMB-CONT						
CC	010A	USABLE AT 208V	30				
DE	6309	ODE	6208				
ENCL	TEFC	SN					

Parts List			
Product ID	Description	Quantity	List Price
SA039597	SA 09P011X826G1	1.000	1,470.00
RA035534	RA 09P011X826G1	1.000	1,225.00
S/P107-000-005	SUPER-E PROC'S(254/6 FR.) ZK PLANT - POL	1.000	
HW1002A63	WASHER, 5/8 HI-COLLAR SPRLCKWASHER	1.000	3.00
09CB3002SP	CB W/1.38 LEAD HOLE FOR 37, 39, 307 & 30	1.000	26.00
09GS1000SP	GASKET-CONDUIT BOX, 1/16 THICK LEXIDE	1.000	4.00
10XN2520K12	1/4-20 X.75 GRD 5	2.000	2.00
HW1001A25	LOCKWASHER 1/4, ZINC PLT .493 OD, .255 I	2.000	3.00
WD1000B17	KPA-8C BURNDY TERMINAL	1.000	4.00
11XW1032G06	10-32 X .38, TAPTITE II, HEX WSHR SLTD U	1.000	4.00
09EP1100A14SP	ENDPLATE, MACH	1.000	182.00
XY3816A12	3/8-16 FINISHED NUT	4.000	2.00
HW1001A38	LOCKWASHER 3/8, ZINC PLT .688 OD, .382 I	4.000	3.00
HW5100A08	W3118-035 WVY WSHR (WB)	1.000	3.00
10XN2520K28	1/4-20 X 1.75" HX HD SCRWGRADE 5, ZINC P	2.000	2.00
HW1001A25	LOCKWASHER 1/4, ZINC PLT .493 OD, .255 I	2.000	3.00
09EP1101A11SP	PU ENDPLATE, MACH	1.000	150.00
HW4600B44SP	V-RING SLINGER 1.500 X 2.290 X 0.280	1.000	6.00
10XN2520K36	1/4-20 X 2.25" HX HD SCRWGRADE 5, ZINC P	4.000	4.00
HW1001A25	LOCKWASHER 1/4, ZINC PLT .493 OD, .255 I	4.000	3.00
HA3113A02	THRUBOLT 3/8-16X16.625	4.000	5.00
HW1001A38	LOCKWASHER 3/8, ZINC PLT .688 OD, .382 I	4.000	3.00
09FH4000SP	FAN COVER, STAMPED	1.000	153.00
HA2081A05	SPACER TUBE, 309 FAN HSG, 2.00 LONG	4.000	3.00

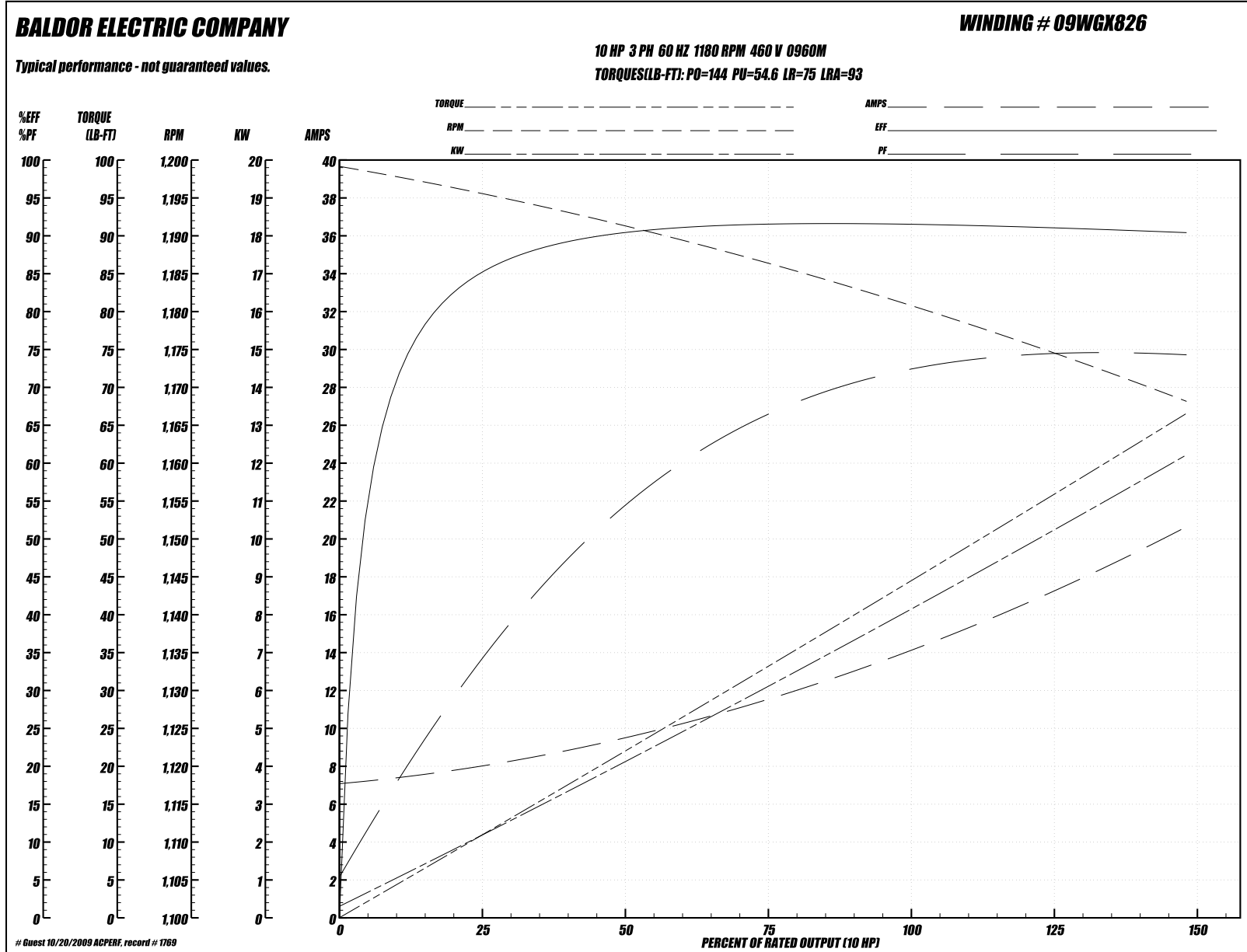
Parts List (continued)			
Product ID	Description	Quantity	List Price
XY3816A12	3/8-16 FINISHED NUT	4.000	2.00
HW1001A38	LOCKWASHER 3/8, ZINC PLT .688 OD, .382 I	4.000	3.00
09CB3501SP	CONDUIT BOX LID FOR 09CB3001 & 09CB3002	1.000	22.00
09GS1013SP	09 GS FOR 09CB3501 LID - LEXIDE	1.000	3.00
51XW2520A12	.25-20 X .75, TAPTITE II, HEX WSHR SLTD	2.000	3.00
HW2501G25	KEY, 3/8 SQ X 2.875	1.000	6.00
LB1115	LABEL,LIFTING DEVICE (ON ROLLS0	1.000	3.00
LB5040	INSTRUCTION TAG, AC & DC	1.000	3.00
HA4051A00		1.000	3.00
HW4500A05	1669B ALEM/UNIV860 GR FTG X	1.000	8.00
HW4500A17	317400	1.000	5.00
HA4001A01SP	DRAIN PLUG, PLASTIC (MICRO PLAS)	1.000	3.00
MJ1000A02	GREASE, POLYREX EM EXXON	0.080	12.00
HA4051A00		1.000	3.00
HW4500A03	1610	1.000	3.00
HW4500A17	317400	1.000	5.00
HA4001A01SP	DRAIN PLUG, PLASTIC (MICRO PLAS)	1.000	3.00
MG1000Y03	WILCO 689-704 GOLD PAINT SUPER E	0.050	314.00
85XU0407A04		2.000	3.00
09FN3001D01	EXTERNAL FAN, PLASTIC	1.000	82.00
51XB1214A20		1.000	3.00
HW2500A25	WOODRUFF KEY USA #1008 #BLOW CARBON STEE	1.000	3.00
LB1119	WARNING LABEL	1.000	3.00
LB1125C02	SUPER-E (STOCK CTN LABEL SUPER-E WITH FL	4.000	3.00

Parts List (continued)			
Product ID	Description	Quantity	List Price
LC0181	CONNECTION LABEL	1.000	8.00
NP1259L	SUPER E, ALUM, UL CSA CC, W/O THERMAL,	1.000	58.00
09PA1000	PACKAGING GROUP COMBINED PRINT	1.000	115.00
LB1357	ENERGY GUIDE LABEL (BOX LABEL)	2.000	3.00

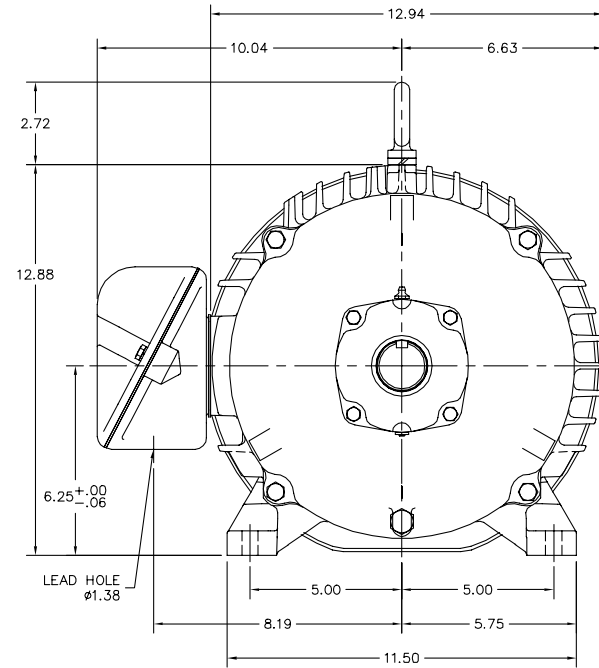
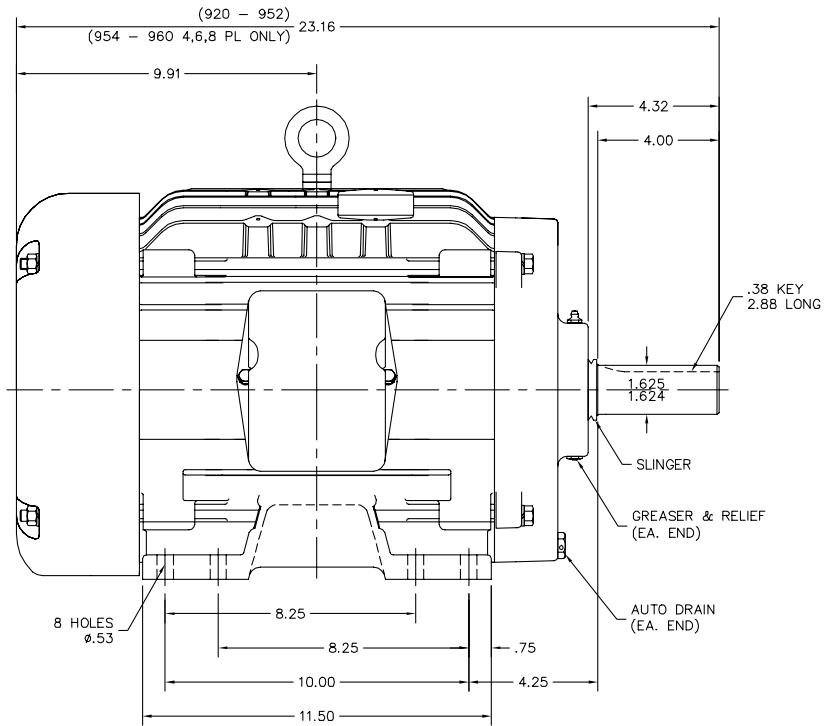
Performance Data at 460V, 60Hz, 10.0HP (Typical performance - Not guaranteed values)

General Characteristics							
Full Load Torque:	44.4 LB-FT			Start Configuration:	DOL		
No-Load Current:	7.15 Amps			Break-Down Torque:	144.0 LB-FT		
Line-line Res. @ 25°C.:	0.676 Ohms A Ph / 0.0 Ohms B Ph			Pull-Up Torque:	54.6 LB-FT		
Temp. Rise @ Rated Load:	44°C			Locked-Rotor Torque:	75.0 LB-FT		
Temp. Rise @ S.F. Load:	58°C			Starting Current:	93.0 Amps		
Load Characteristics							
% of Rated Load:	25	50	75	100	125	150	S.F.
Power Factor:	35.0	55.0	66.0	72.0	74.0	76.0	73.0
Efficiency:	84.4	90.2	91.6	91.7	91.2	90.3	91.4
Speed:	1196.0	1191.0	1186.0	1181.0	1175.0	1168.0	1177.0
Line Amperes:	8.0	9.39	11.57	14.2	17.24	20.55	16.02

Performance Graph at 460V, 60Hz, 10.0HP (Typical performance - Not guaranteed values)



09LYP011



CUSTOMER IS RESPONSIBLE FOR DETERMINING THAT MOTOR PERFORMANCE IS SUITABLE IN THE APPLICATION.

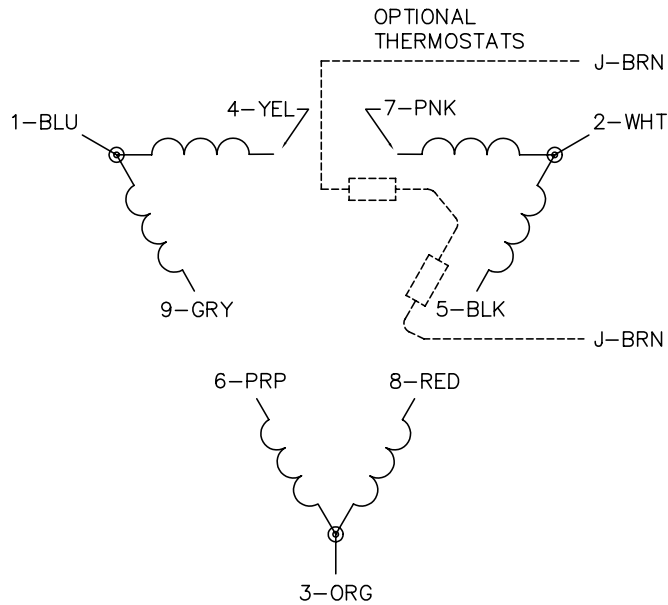
REV. DESC: CORRECT GRAPHICS		
REV. LTR: H	VERSION: 03	TDR: 000000418711
FILE: \AAA\00026\716	REVISED: 10:12:56 01/09/2007	BY: ENBREW0
MTL: -		

BALDOR ELECTRIC Co.

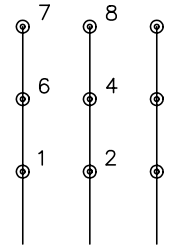
HORZ TEFC 254-6T SUPER-E

09LYP011

CD0180

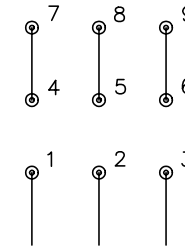


LOW VOLTAGE
(2D)



LINE

HIGH VOLTAGE
(1D)



LINE

NOTES:

1. INTERCHANGE ANY TWO LINE LEADS TO REVERSE ROTATION.
2. OPTIONAL THERMOSTATS ARE PROVIDED WHEN SPECIFIED.
3. ACTUAL NUMBER OF INTERNAL PARALLEL CIRCUITS MAY BE A MULTIPLE OF THOSE SHOWN ABOVE.
4. LEAD COLORS ARE OPTIONAL. LEADS MUST ALWAYS BE NUMBERED AS SHOWN.

REV. DESC: REVISE TO SHOW OPTIONAL COLORS

REV. LTR: C BY: JLP

REVISED: 01/21/99 2:28

TDR: 0171435

0810D0

FILE: AAA00005148

MDL: -

MTL: -

BALDOR ELECTRIC Co.

3PH, DV, 9 LEADS, DELTA CONNECTION

CD0180