

BALDOR® • RELIANCE

Product Information Packet

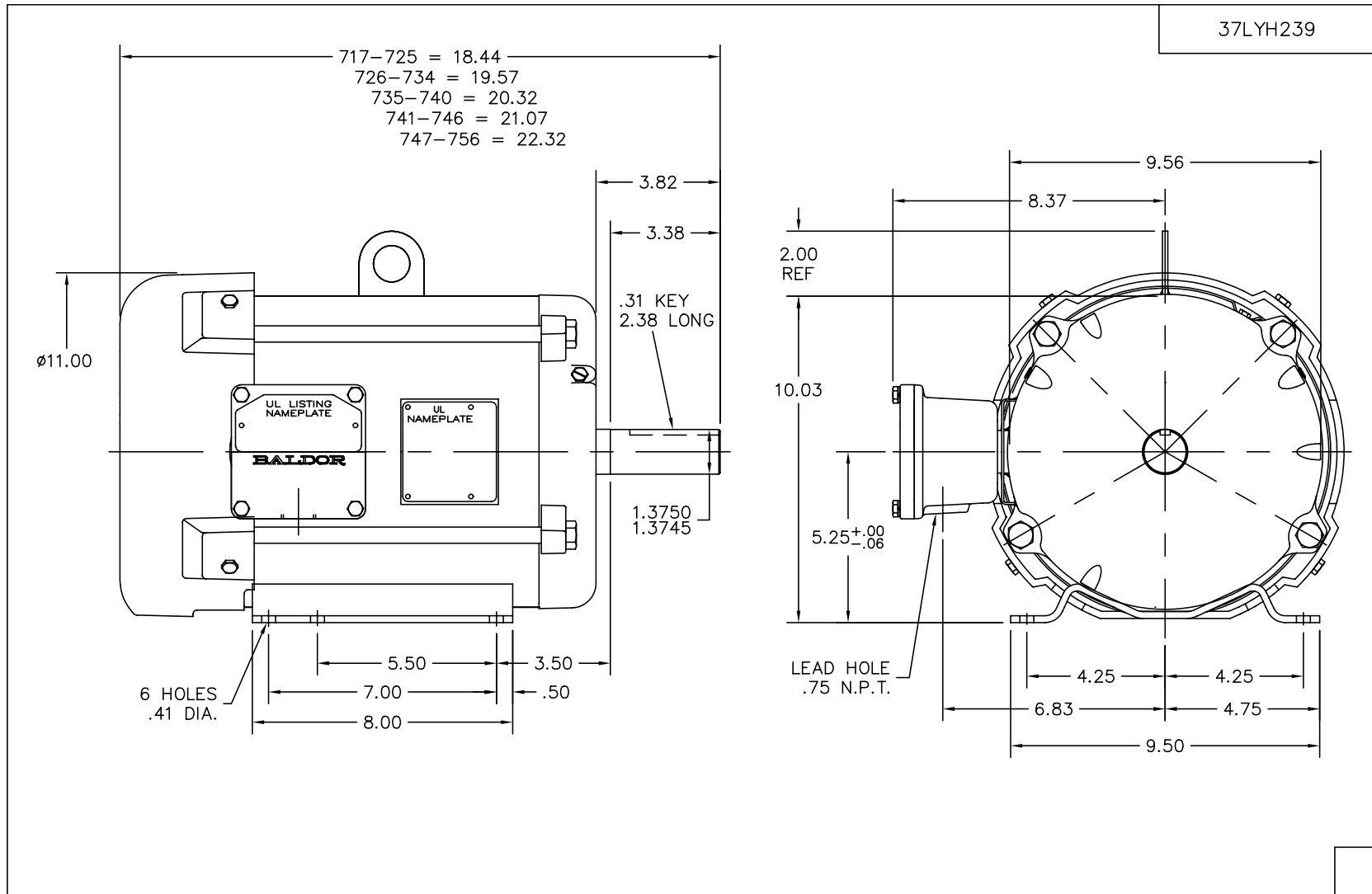
M7036T

2//3HP,970//1165RPM,3PH,50//60HZ,213T,37

Product Detail							
Revision:	H	Status:	PRD/A	Change #:		Proprietary:	No
Type:	AC	Prod Type:	3728M	Elec. Spec:	37WGT975	CD Diagram:	CD0005
Enclosure	XPFC	Mfg Plant:		Mech Spec:	37H239	Layout:	37LYH239
Frame:	213T	Mounting:	F1	Poles:	06	Created Date:	08-25-2006
Base:	RG	Rotation:	R	Insulation:	B	Eff. Date:	08-31-2009
Leads:	9#14	Literature:		Elec. Diagram:		Replaced By:	
Nameplate NP1426XP							
NO.		CC	010A				
SER.							
SPEC.	37H239T975H1						
CAT.NO.	M7036T						
HP	3//2	T. CODE	T3C				
VOLTS	230/460//190/380						
AMPS	9.2/4.6//8.2/4.1						
RPM	1165//970						
HZ	60//50	PH	3	CL	B		
SER.F.	1.00	DES	B	CODE	K		
RATING	40C AMB-CONT						
FRAME	213T	NEMA-NOM-EFF	87.5	PF	69		
USABLE AT 208V							

Parts List			
Product ID	Description	Quantity	List Price
SA147411	SA 37H239T975H1	1.000	850.00
RA136459	RA 37H239T975H1	1.000	709.00
37FN3002B01	EXFN, PLASTIC, 7.50 OD, 1.155 ID	1.000	12.00
35CB3001A02SP	EXPL PROOF CONDUIT BOX, 3/4"PIPE TAP LEA	1.000	36.00
11XW1032G06	10-32 X .38, TAPTITE II, HEX WSHR SLTD U	1.000	4.00
HW3001A01	D3019 BRASS WASHER(STIMP)	1.000	3.00
37EP1102A01	STD FR EP, XPFC	1.000	152.00
HW4500A19	1/4-28X1/4 SLOTTED PLUG F/S	2.000	3.00
HW5100A06		1.000	3.00
37EP1701A02	PU ENDPLATE,TEFC, 1 FAN, W/GREASER, MACH	1.000	258.00
HW4500A19	1/4-28X1/4 SLOTTED PLUG F/S	2.000	3.00
XY5013A12	NUT,1/2-13,HEX,STEEL,ZINCPLATED	4.000	3.00
37FH2000A01SP	STD XPROOF FAN COVER	1.000	178.00
10XN2520A12	O1/4-20X 3/4 HEX HEAD CAP	4.000	4.00
HW1001A25	LOCKWASHER 1/4, ZINC PLT .493 OD, .255 I	4.000	3.00
35CB3500A01SP	CONDUIT BOX LID, MACH	1.000	21.00
10XN2520A16	1/4-20 X 1 HEX HEAD CAP SCR, ZINC PLATED	4.000	4.00
HW1001A25	LOCKWASHER 1/4, ZINC PLT .493 OD, .255 I	4.000	3.00
HW2501F21	KEY, 5/16 SQ X 2.375	1.000	5.00
HA7000A02	KEY RETAINER RING, 1 1/8 DIA, 1 3/8 DIA	1.000	3.00
85XU0407S04	4X1/4 U DRIVE PIN STAINLESS	6.000	3.00
LB1115	LABEL,LIFTING DEVICE (ON ROLLS0	1.000	3.00
NP0018	NP- XP CONDUIT BOX	1.000	3.20
MJ1000A02	GREASE, POLYREX EM EXXON	0.050	12.00

Parts List (continued)			
Product ID	Description	Quantity	List Price
51XB1214A20		1.000	3.00
XY2520A12	1/4-20 HEX NUT, DIRECTIONAL SERRATIONS	1.000	1.00
MG1025G29	PAINT 789.205 DARK GRAY METALLIC (USE W/	0.028	404.00
MG1025Z20	ACTIVATOR WILKOFAS 060.32	0.010	261.00
HA3106A03	THRUBOLT- 1/2-13 X 11.875 X	4.000	8.00
LB1119	WARNING LABEL	1.000	3.00
LB1125C04	STD-E (STOCK CTN LABEL STD-E WITH FLAG)	1.000	3.00
LC0145B01	CONNECTION LABEL	1.000	3.00
NP1426XP	UL/CSA, CLI GP-D, CLII GP-F&G, CC	1.000	
37PA1052	PACKAGING GROUP, 150 LB MTR 2 X 4 RUNNER	1.000	58.00

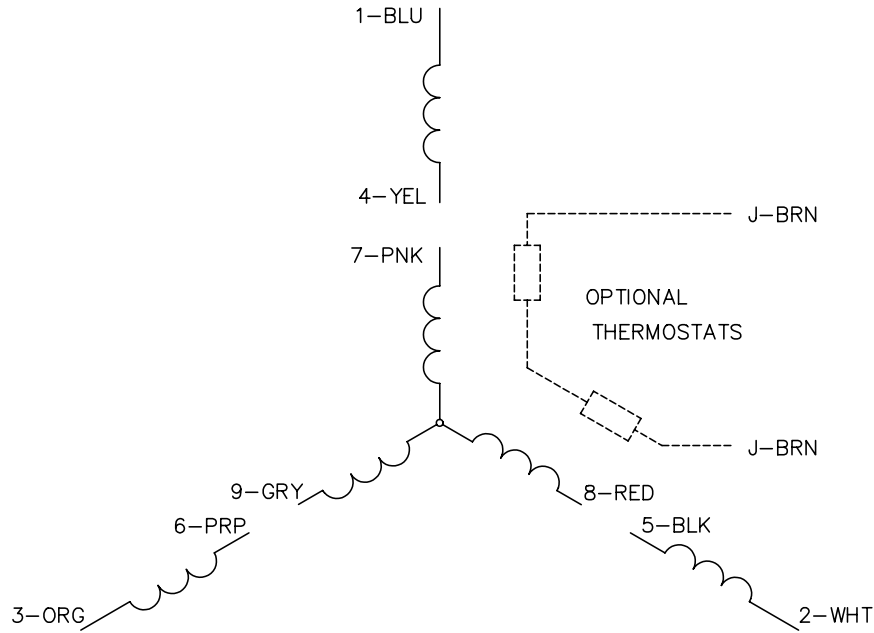


37LYH239

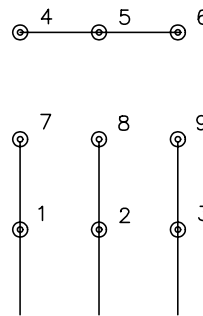
CUST. NAME		CUST. P.O.		CERTIFIED BY		MODEL		INSUL		AMB	
H.P.		MTG		TYPE		R.P.M.		VOLTS		ENCL	
PHASE		FREQ		FRAME							
REV. DESC: NEW											
REV. LTR: -		BY: SLK		REVISED: 09/13/99 11:47				TDR: 0189039			
6Ω2HΛ7Σ				FILE: AAA00068145				MDL: -			
MTL: -				<p style="text-align: center;">BALDOR ELECTRIC Co.</p> <p style="text-align: center;">HOR 213-5T XPFC M EPACK STACKS, DUAL CLASS</p>							

37LYH239

CD0005

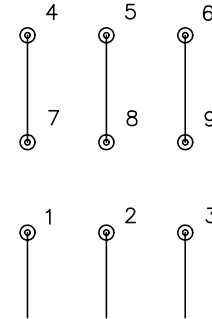


LOW VOLTAGE
(2Y)



LINE

HIGH VOLTAGE
(1Y)



LINE

NOTES:

1. INTERCHANGE ANY TWO LINE LEADS TO REVERSE ROTATION.
2. OPTIONAL THERMOSTATS ARE PROVIDED WHEN SPECIFIED.
3. ACTUAL NUMBER OF INTERNAL PARALLEL CIRCUITS MAY BE A MULTIPLE OF THOSE SHOWN ABOVE.
4. LEAD COLORS ARE OPTIONAL. LEADS MUST ALWAYS BE NUMBERED AS SHOWN.

REV. DESC: REVISE TO SHOW OPTIONAL COLORS			
REV. LTR: E	BY: JLP	REVISED: 01/19/99 10:15	TDR: 0171435
900000		FILE: AAA00005140	MDL: -
		MTL: -	

BALDOR ELECTRIC Co.

3PH, DV, 9 LEADS

CD0005